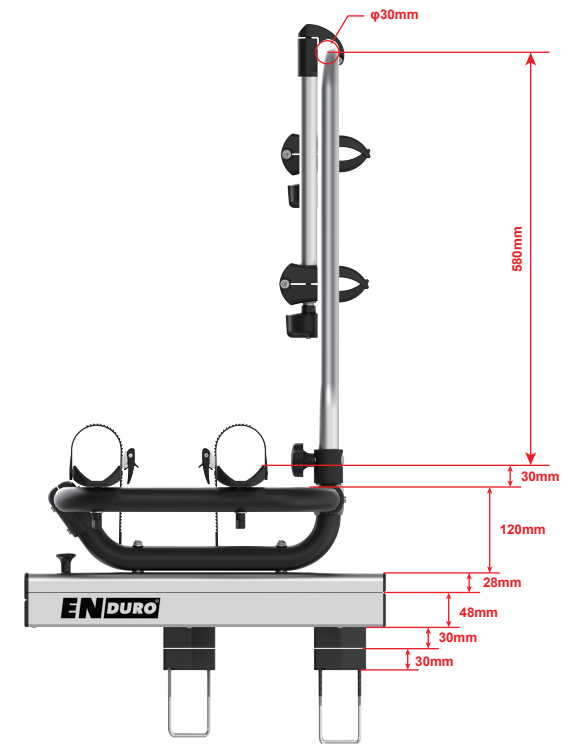
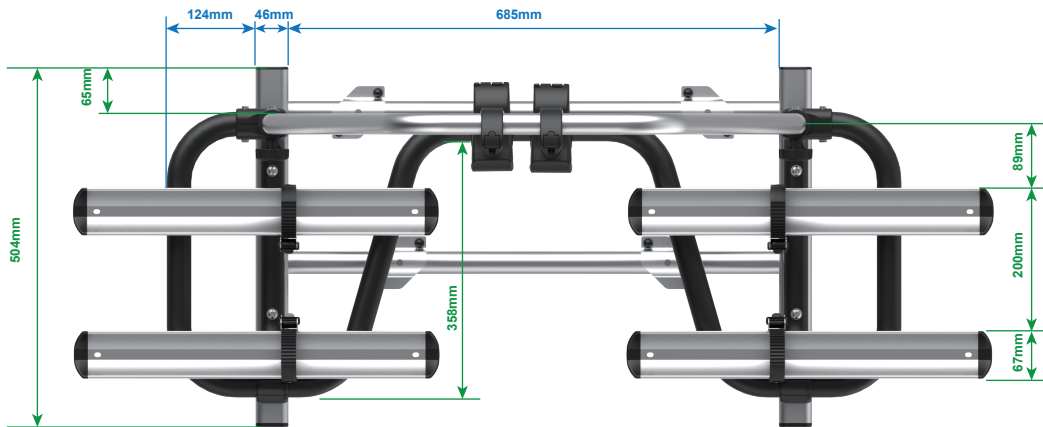


# Dimension of BC260

*Slided in*



# Dimension of BC260

*Slided out*

